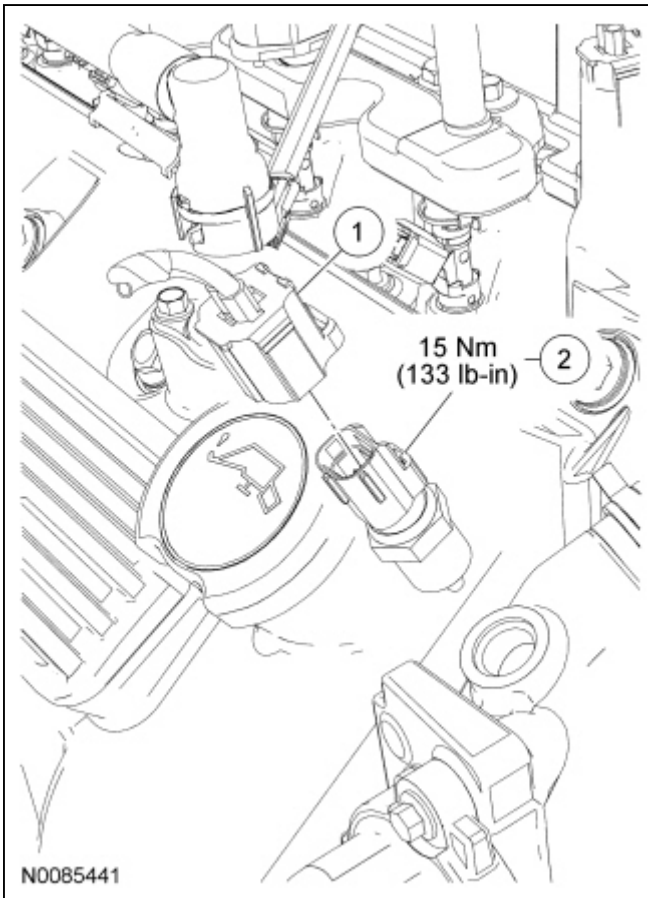


## Engine Coolant Temperature (ECT) Sensor — 5.4L (4V)



Item	Part Number	Description
1	14A464	Engine Coolant Temperature (ECT) sensor electrical connector
2	12A648	<u>ECT</u> sensor

### Removal and Installation

1. Drain the cooling system. For additional information, refer to [Section 303-03A](#).
2. Disconnect the Engine Coolant Temperature (ECT) sensor electrical connector.
3. Remove the ECT sensor.
  - To install, tighten to 15 Nm (133 lb-in).
4. To install, reverse the removal procedure.
5. Fill and bleed the cooling system. For additional information, refer to [Section 303-03A](#).

